

### APPLICATION

The bulkhead light fitting type 0403.24 is intended for use in places with an explosive gas and dust atmosphere, in mines susceptible to firedamp.

The light fitting is designed for use in the industrial areas and facilities, indoor and outdoor spaces.


### CONSTRUCTION

Housing: 0403.24/10, /11, /12 aluminium powder painted casting

0403.24/20 cast iron

Diffuser: borosilicate glass protected with steel gird

### TECHNICAL DATA

Certificate:	CESI 08 ATEX 017X
Marking:	CE 0722
Apparatus category:	II 2G, I M2
Marking of explosion protection:	 I M2 Ex e d I II 2G Ex e d IIC T2/T3
Ambient temperature:	-30°C ≤ T <sub>a</sub> ≤ +40°C -30°C ≤ T <sub>a</sub> ≤ +60°C
Degree of protection:	IP 54 category 1
Resistance to shock:	IK 08
Protection class :	I (protective earthing)
Rated voltage:	250V ±10% AC 24V ±10% AC/DC
Frequency:	50Hz (60Hz on request)
Rated power:	See selection table
Lamps:	Incandescent lamps, E 27 lampholder, for 25W, 40W, 60W, 100W Halogen lamps, E 27 lampholder, for 100W
Connecting terminals:	terminals L1 + N for 2 x 4 mm <sup>2</sup> flexible/solid terminals PE for 2 x 4 mm <sup>2</sup> flexible/solid tightening torque for screw clamp 2,2 Nm
Cable entry:	1 x M25x1.5 cable gland (through-wiring possible) 1 x M25x1.5 plug
Cover fixing:	M 6, Hexagonal screw; without switch
Packing:	The packing contains: 1 pcs 360x240x205 mm

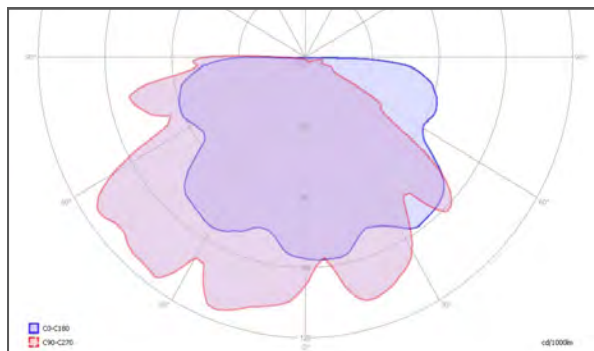
# 0403.24



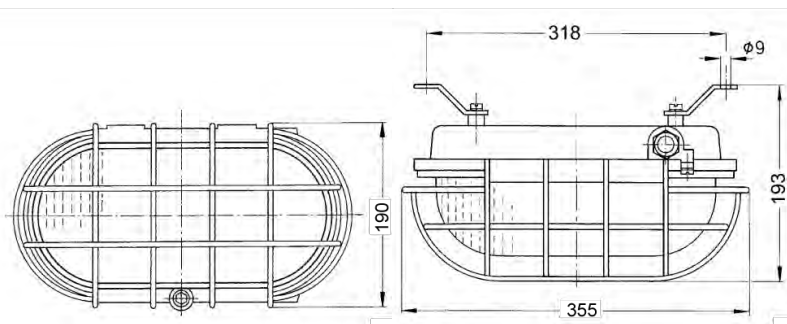
CESI 08 ATEX 017X

**MODEL CODE**

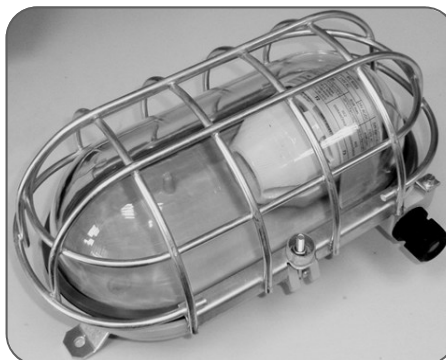
MODEL CODE	APPARATUS CATEGORY	EXPLOSION PROTECTION	RATED VOLTAGE	LAMPS (E27)	LUMINUS FLUX [lm]	WEIGHT
0403.24/10	II 2G	Ex e d IIC T2,T3	24 V DC 230 V AC	100W max. EN60064 60W max. DIN 49810 BI.4	1500 800	4,3 kg
0403.24/11,12 (red or green glass)	II 2G	Ex e d IIC T3	230 V AC	60W max. DIN 49810 BI.4 40W max. DIN 49810 BI.4	800 450	4,3 kg
0403.24/20	I M2	Ex e d I	230 V AC	100W max. EN60064	1500	7,5 kg

**POLAR CURVE**

Rated luminous flux: 1160lm (100W), 580lm (60W)  
Efficiency in operation: approx. 60%

**DIMENSION DRAWING** (all dimensions in mm)**MOUNTING**

Two brackets with two screws M6.

**SPARE PARTS AND ACCESSORIES**

SKETCH	DESCRIPTION	CODE	SKETCH	DESCRIPTION	CODE
	Ex d lampholder E27 set	0403.24 10-110		Ex e cable gland M25	SPU 25
	Gasket 0403.24	0403.24 10-120		II M2 Ex e I Cable gland	0403.24 20-120
	Replacement glass	0403.24 10-130		Ex e plug M25	SPC 25
	Light bulb 40W, 60W, 100W	0403.24 20-110		I M2 Ex e I Plug M25	0403.24 20-130